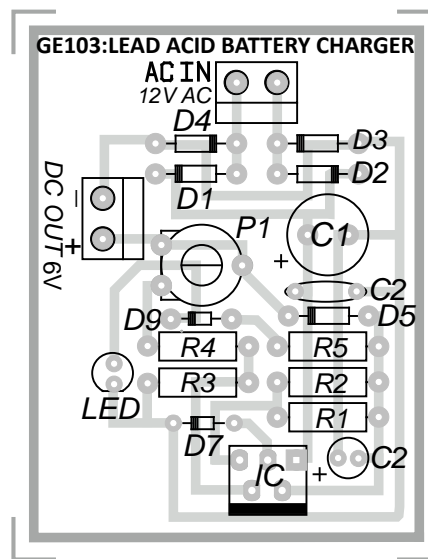
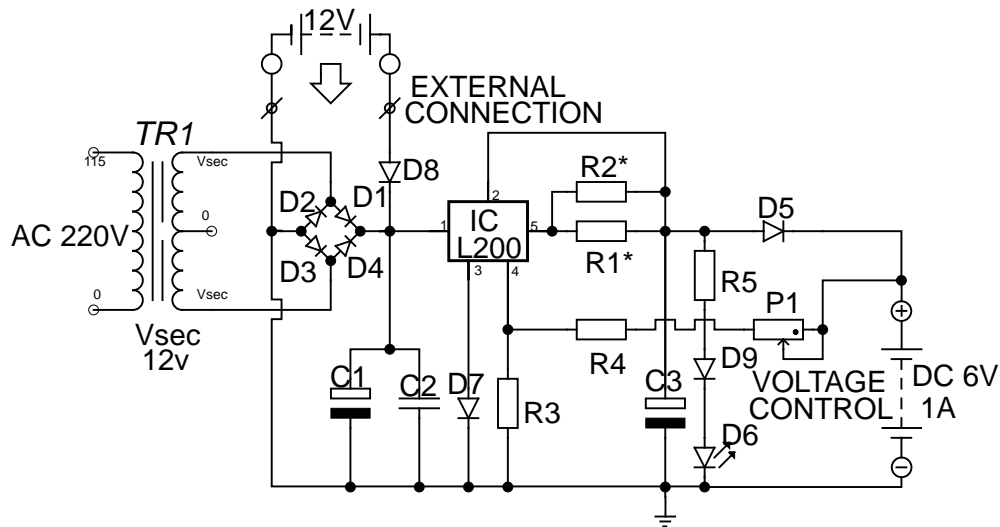


LEAD ACID BATTERY CHARGER (6 VOLT)

GE 103



Bill of materials:

- * R1 : 1 Ohm (BROWN-BLACK-GOLD)
- * R3 : 820 Ohm (GRAY-RED-BROWN)
- * R4 : 560 Ohm (GREEN-BLUE-BROWN)
- * R5 : 470 Ohm (YELLOW-VIOLET-BROWN)
- * P1 : 470 Ohm (POT VARIABLE RESISTANCE)
- * C1 : 1000 uF/16V (ELECTROLYTIC CAPACITOR)
- * C2 : 330 nF/100V <334>(CERAMIC CAPACITOR)
- * C3 : 1 uF/16V (ELECTROLYTIC CAPACITOR)
- * D1-->D5: 1N4001 (DIODE)
- * D7-D9: 1N4148 (SIGNAL DIODE)
- * IC1 : L200 (VOLTAGE REGULATOR)
- * LED (5MM)
- * 2 SCREW JUNCTION (2 PIECES)

BATTERY TYPE	TR1	D1-->D5 D8	R1	R2
6V 4Ah	12V 0.6A	1N4001	1 Ohm	∞
6V 6Ah	12V 1.0A	1N4001	1 Ohm	2 Ohm
6V 8Ah	12V 1.2A	1N5401	1 Ohm	1 Ohm
6V 10Ah	12V 1.5A	1N5401	0.82 Ohm	0.82 Ohm